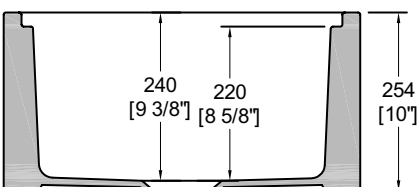
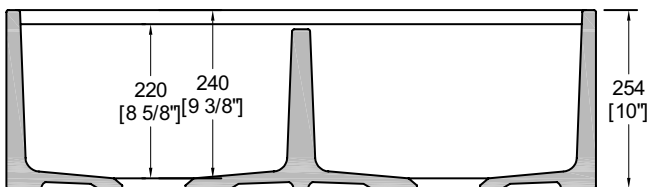
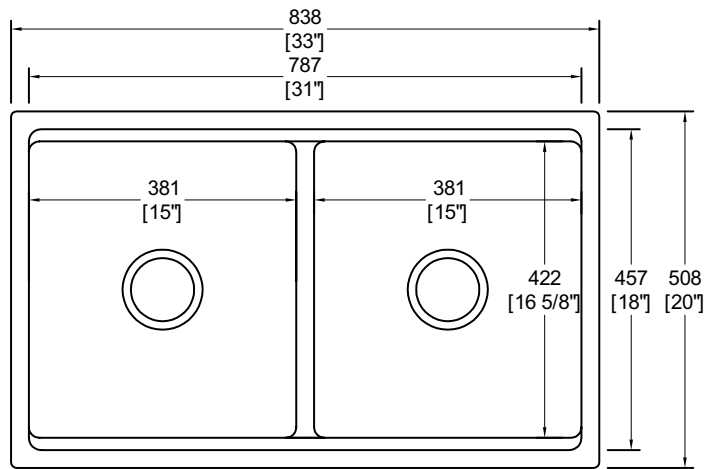




DSE-FCAL5050S

FIRE CLAY KITCHEN SINKS



Style:

- Apron Front
- Undermount
- Kitchen Sink
- 50/50 Bowl



Size:

- Overall: 33" x 20" x 10"
- Bowl Size: 15" x 16.625" x 9.375"

Features:

- Accessory Ledge
- Includes Cutting Board, Colander & Strainer
- 2 Faces (Scalloped/Flat)

Available Color/Finish

- White

Certifications:

- cUPC

Warranty:

- Lifetime Limited Warranty

